

Single phase two wire Din Rail Energy meter

Single-phase electricity Energy meter for DIN-rail mounting (single module) (18mm).

Active energy measurement in single phase two wire alternating current circuits.
Displayed by LCD.

Standard compliance

IEC62053-21: 2003

Specifications

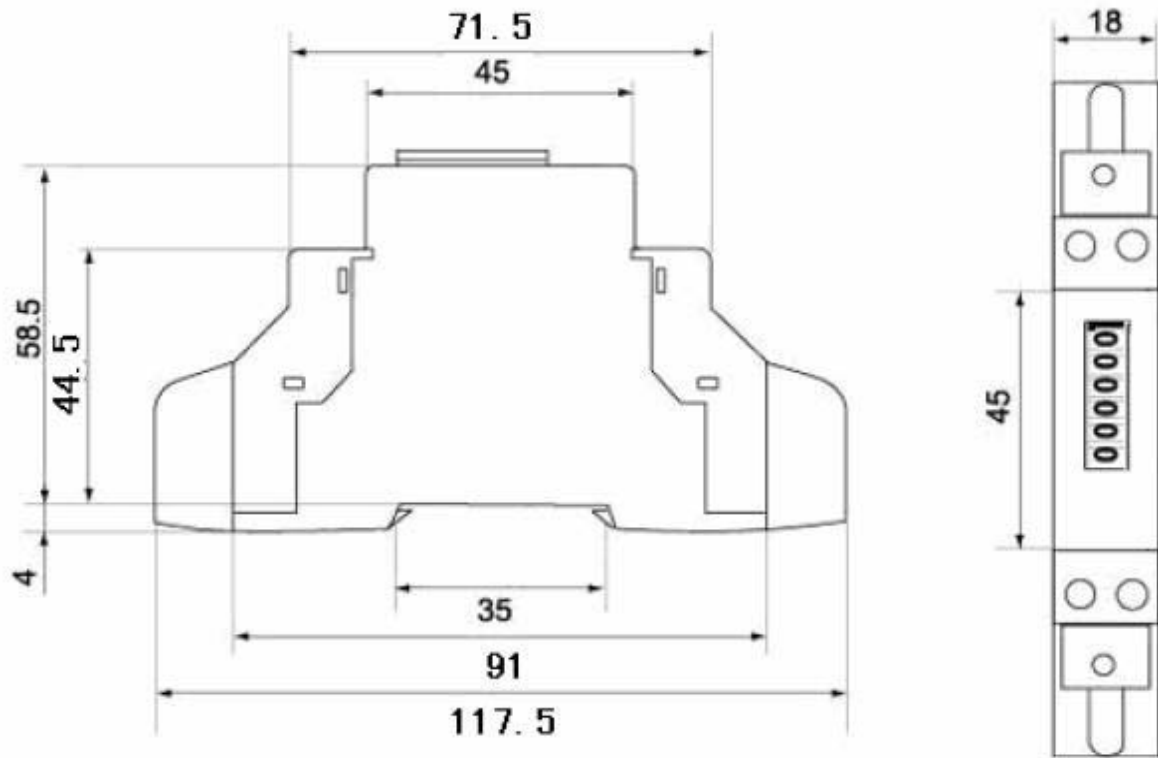
Accuracy Class	1
Reference Voltage (U_n)	230V AC
Operating Voltage	160-300V AC
Impulse Voltage	6KV 1.2 μ S waveform
Rated Current (I_b)	5 A
Maximum Rated Current (I_{max})	45 A
Operating Current Range	0.4% $I_b \sim I_{max}$
Operating Frequency Range	50Hz \pm 10%
Internal Power Consumption	<2W/10VA
Operating Humidity range	<75%
Storage Humidity range	<95%
Operating Temperature range	-10° C ~+50° C
Storage Temperature range	-30° C - +70° C
Overall dimensions(mm)	117.5 \times 18 \times 58.5
Weight(kg)	about 0.12kg (net)
Display	LCD

Features

CI.1 Accuracy (EN61036)
Direct measurement up to 45A
Built-in shunt
Energy consumption LED
6 digits electronicmechanical counter
Pulse output
Easy installation

Overall dimensions

DRS-201(single module)



Designation structure

DRX-XXXX

A: Register
D: LCD
C: Modbus RTU Communication Protocol
E: Two phases Three wires with Neutral Wire inside meter
M: Multi-Functional
201: 1 Module
202: 4 Module
203: 2 Module
301: 6 Module
S: Single Phase
T: Three Phase
Din Rail